

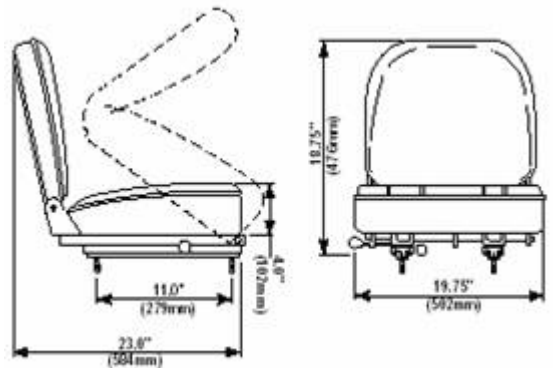
Product No.	Weight	Price	Features/Description	Replacement For
ES127	27 lbs	Call for further info.	20 ga. Steel Pan; Meets FMVSS207	Yale/Hyster/ Caterpillar/ Universal



Product No.	Weight	Price	Features/Description	Replacement For
ES917	27 lbs	Call for further info.	Molded one-piece seat assembly; 1pcs. Drawn 14 ga. Steel pan	Hyster/Mitsubishi/Universal



Product No.	Weight	Price	Features/Description	Replacement For
ES599-1	27 lbs	Call for further info.	Forward tilt & folding back, multi-adjuster mounting, armrest added	Toyota/Nissan/Komatsu/Universal



Product No.	Weight	Price	Features/Description	Replacement For
ES599	25 lbs	Call for further info.	Forward tilt & folding back, multi-adjuster mounting	Toyota/Nissan/Komatsu/Universal



Product No.	Weight	Price	Features/Description	Replacement For
ES997198	25 lbs	Call for further info.	Thick Cushioning: Plastic ABS Back	Clark/Nissan/Universal

REPLACEMENT LIFT TRUCK SEATS
EBI Catalogue

CONTACT:

Mrs. Tameia Schaefer
 Enterprise Base International Corp
 Tel: 912-352-2445
 Fax: 912-352-4095
 Email:tameia@ebiglobal.com

Toll Free: 1-800-883-8445